



Loudspeaker Technology Ltd  
 Gypsy Lane  
 Aston Down  
 Stroud  
 Glos  
 GL6 8HR  
 England  
 Tel: +44 (0)1285 760561  
 Fax: +44 (0)1285 760683  
 email: info@atc.gb.net  
 web: www.atcloudspeakers.co.uk

# Technical Data Sheet

## SCM45A Pro: high performance 3-way compact active loudspeaker

### key features

- Proprietary ATC 25mm/1" Dual Suspension Super Tweeter
- ATC hand built 3"/75mm [Soft Dome mid-range driver](#).
- 2 x ATC hand built 6.5"/164mm carbon-paper cone bass drivers.
- On-board grounded source 235 watt Class A/B Tri-amplifier.
- Compact size with high output and low cut-off frequency.
- 6 year warranty.



### specifications

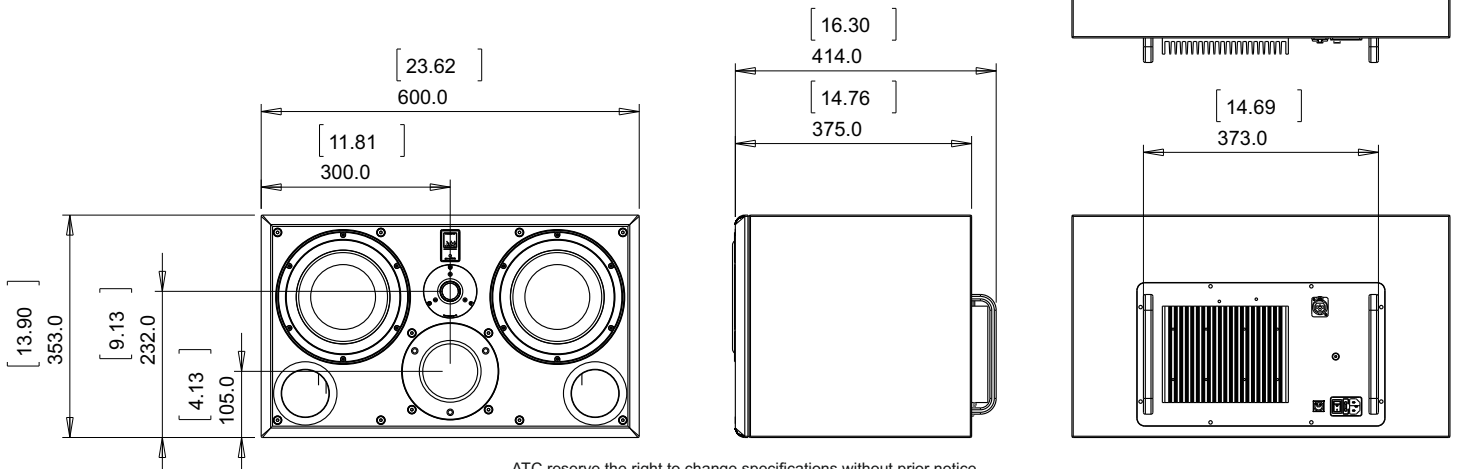
- drive units
  - bass: 2 x 6.5"/164mm short-coil carbon-paper cone
  - mid: 3"/75mm Soft dome
  - hf: 1"/25mm Soft dome
- amplitude linearity
  - 70Hz - 17kHz (+/-2dB)
- cut-off frequencies
  - 42Hz - 25kHz (-6dB freestanding)
- horizontal dispersion
  - +/-80° coherent
- vertical dispersion
  - +/-10° coherent
- maximum continuous SPL
  - 112dB (per pair at 1m)
- audio input
  - rear panel mounted female xlr (pin 2 +)
- input sensitivity
  - 1V rms (ref. full output)
- input sensitivity trim
  - 0dB to -6dB (continuously variable)
- input impedance
  - balanced >10kΩ
- amplifier output power
  - bass: 150W rms
  - mid: 60W rms
  - hf: 25W rms
- crossover frequencies
  - 380Hz & 3.5kHz
- crossover filters
  - 4th order critically damped with phase compensation
- low frequency boost
  - 0dB to +3dB at 40Hz (continuously variable)
- overload protection
  - active FET momentary gain reduction
- mains power requirements
  - 115/230V, 50/60Hz via rear panel switch. 100v 50/60Hz factory set
- mains power consumption
  - 56VA (standby max), 154VA (typical 1/8th power), 375VA (max)
- thermal output
  - 53W (idle), 130W (1/8th power)
- weight
  - 36kg/79lbs

### physical dimensions

dimensions in mm and [inches]

#### notes

1. Mid-range dome is the reference listening axis
2. If flush mounted, allow 50mm/2" free space either side and above the heatsink and a supply of fresh cool air.



ATC reserve the right to change specifications without prior notice